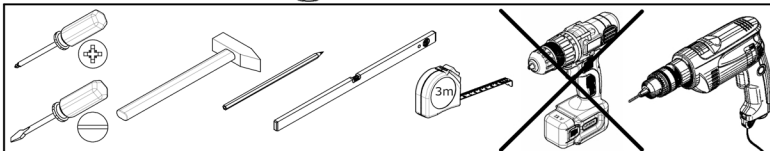
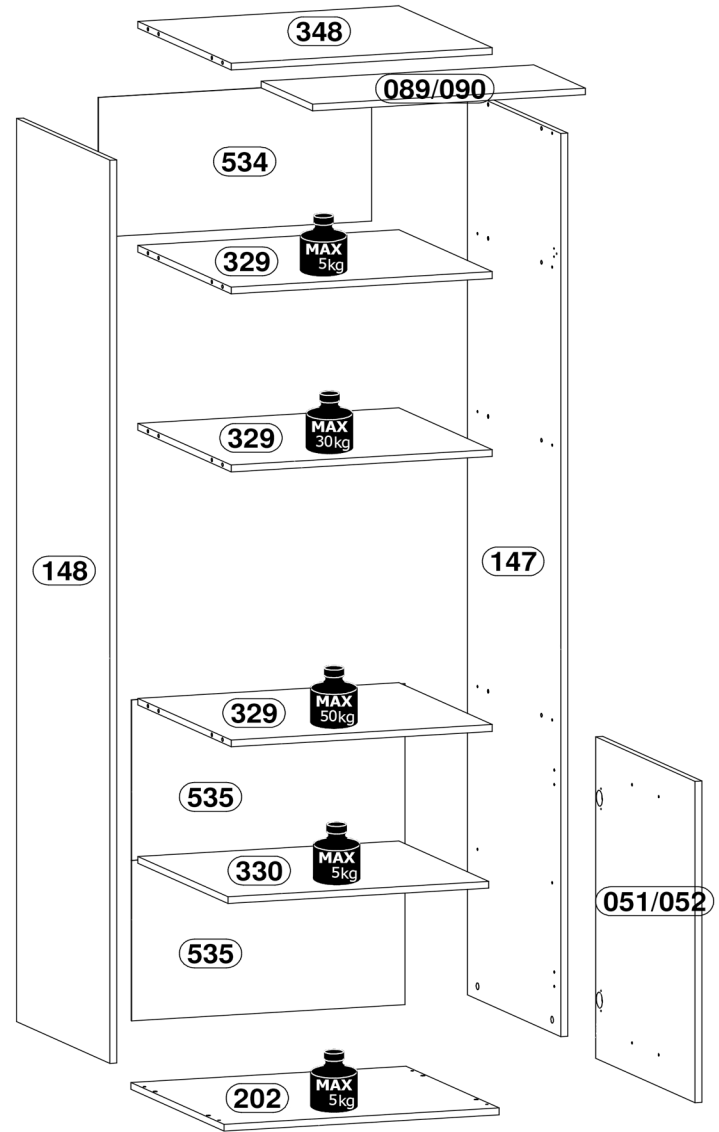
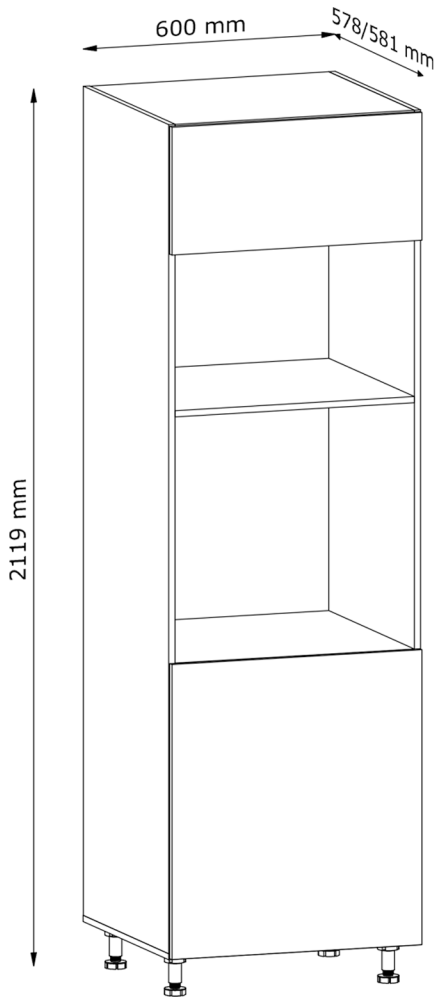


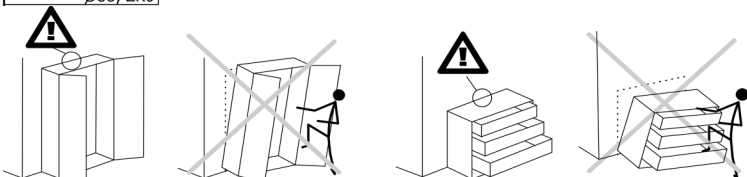
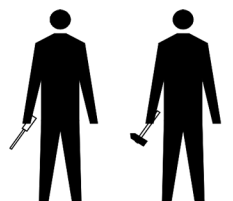
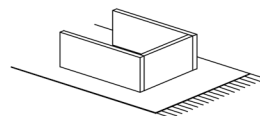
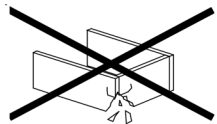
# LANGEN

# D60PM



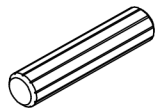
<b>A1</b> x20  Ø8x35mm	<b>B1</b> x20  Ø5x38mm	<b>C1</b> x20  Ø15x12mm	<b>E1</b> x4  Ø5x16mm	<b>G1</b> x44  26mm
<b>I20</b> x2  83x21x11mm	<b>J10</b> x 20  Ø21mm	<b>L1</b> x 4  Ø50x95mm	<b>Q1</b> x1  270mm	<b>T4</b> x1  75x28x16 mm
<b>U19</b> x2  300mm	<b>W2</b> x35  Ø3,5x16mm	<b>W5</b> x4  Ø4x30mm	<b>Y1</b> x4  Ø8x1,5mm	<b>Z1</b> x4  50x40, H=2
<b>Z3</b> x4  Ø35, ZK0				

Nr	L[mm]	W[mm]	H[mm]	PCS	BOX
051/052	713	596	15/18	1	2/2
089/090	596	309	15/18	1	2/2
147	2004	560	15	1	1/2
148	2004	560	15	1	1/2
202	601	560	15	1	1/2
329	570	560	15	3	1/2
330	570	540	15	1	1/2
348	570	560	15	1	1/2
534	597	310	2,5	1	1/2
535	597	356	2,5	2	1/2



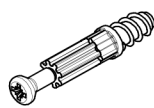
# 1

A1 x4



Ø8x35mm

B1 x16



Ø5x38mm

C1 x4



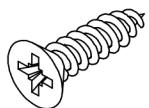
Ø15x12mm

Q1-a x1



Ø31mm

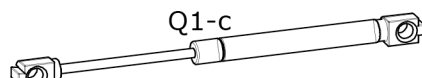
W2 x3



Ø3,5x16mm



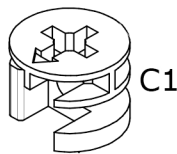
Q1-a



Q1-c



Q1-b

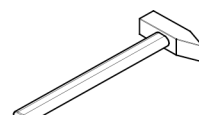
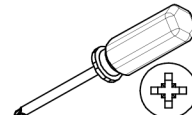


C1

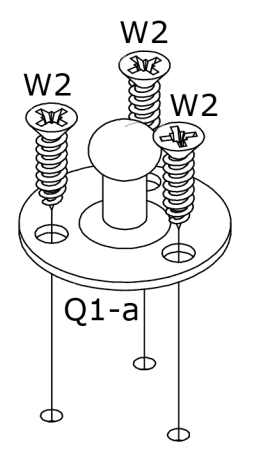
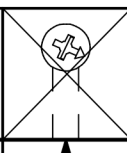
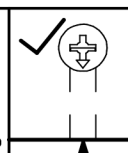
148

147

A1



B1

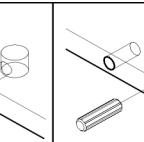
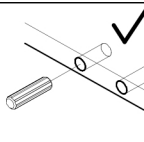
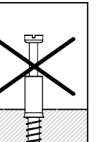
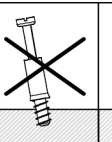
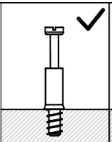


W2

W2

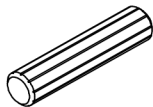
W2

Q1-a



# 2

A1 x16



Ø8x35mm

C1 x16



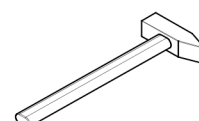
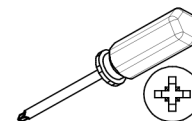
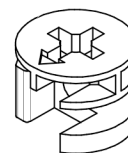
Ø15x12mm

Z1 x2



50x40, H=2

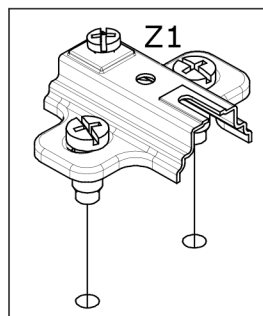
C1



329 x3

348

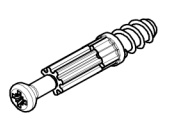
A1



Z1

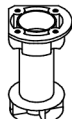
3

B1 x 4



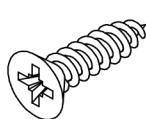
Ø5x38mm

L1 x 4

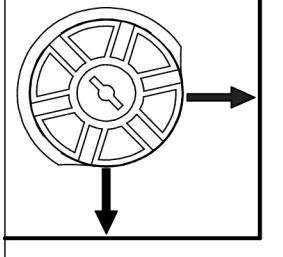
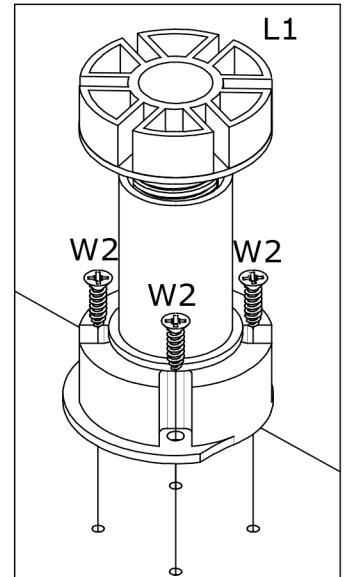
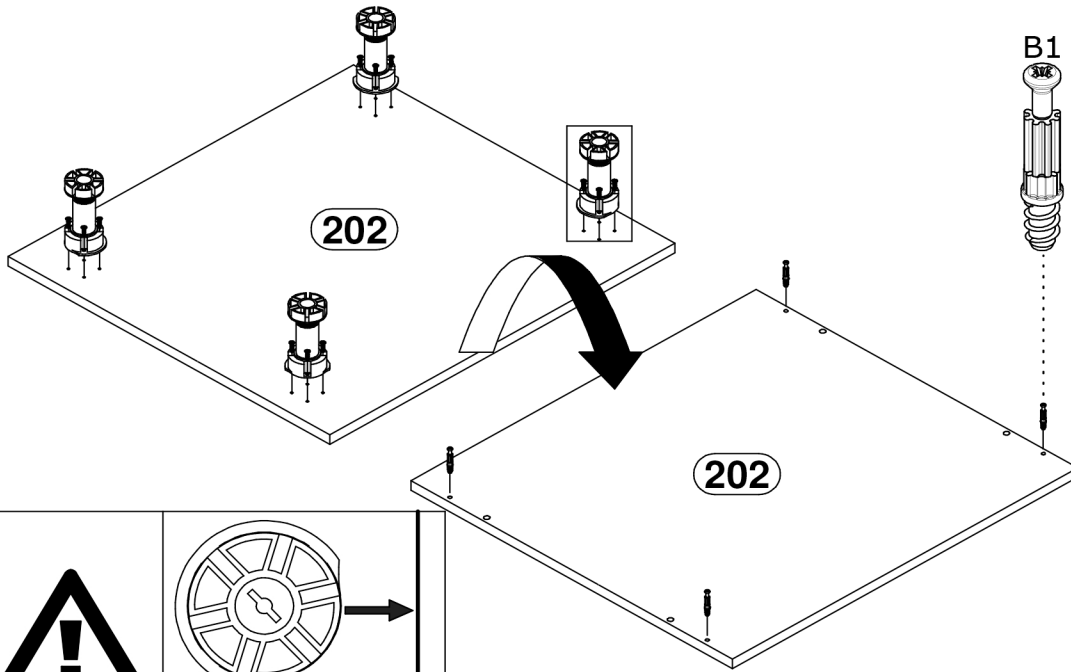
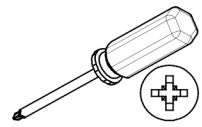


Ø50x95mm

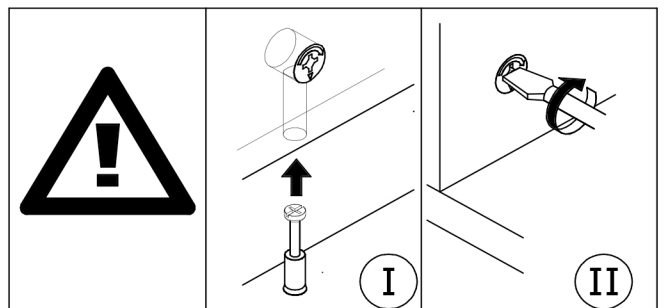
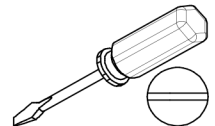
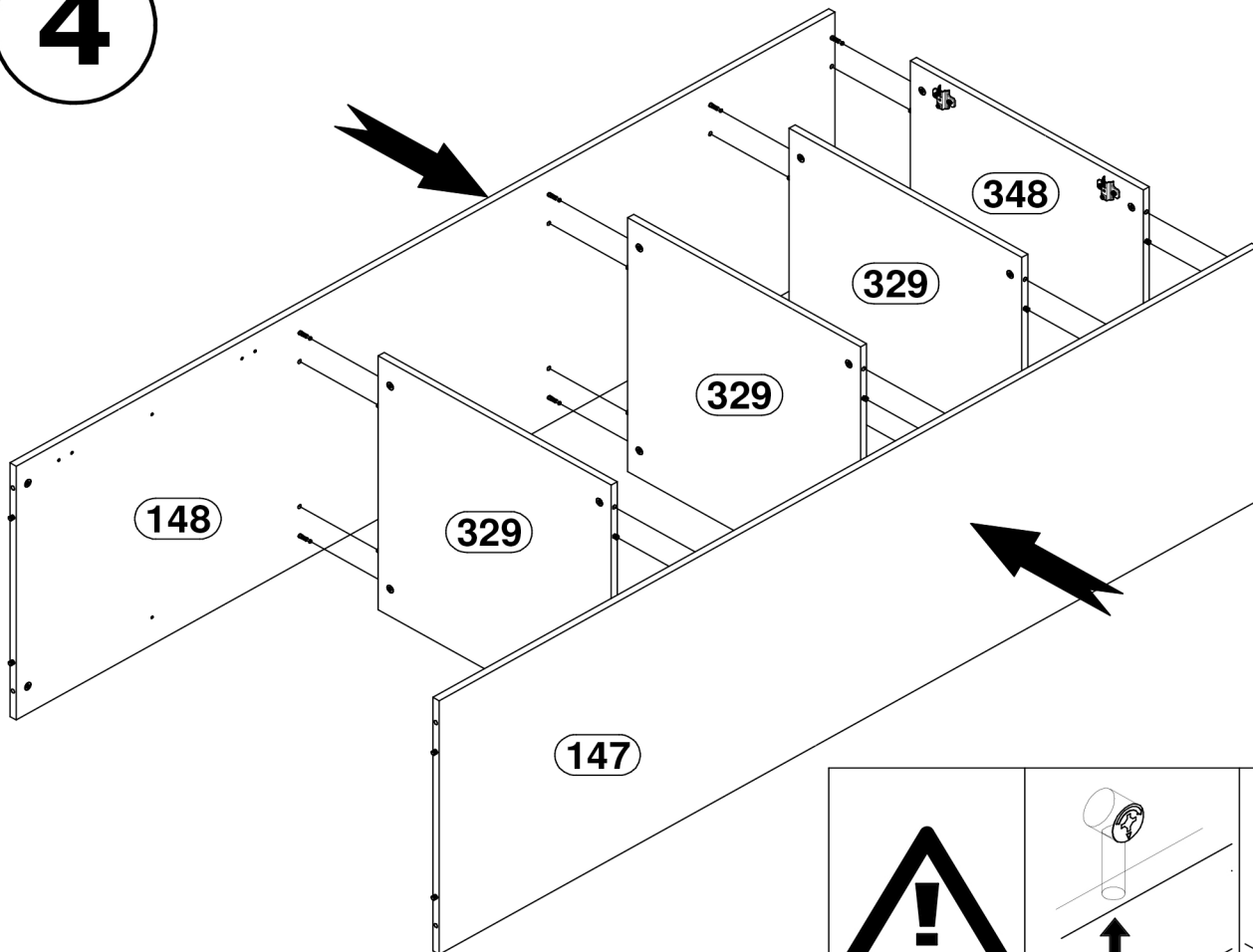
W2 x 16



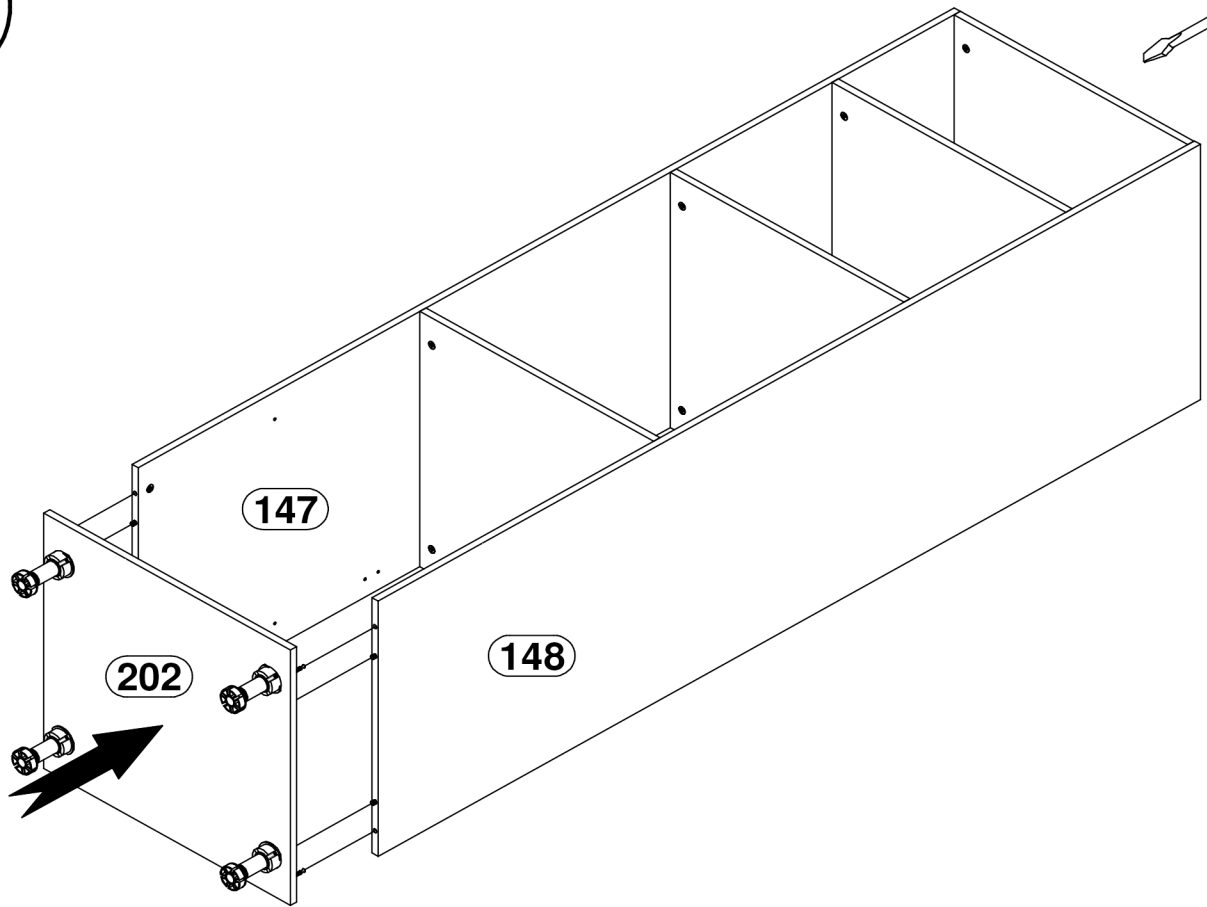
Ø3,5x16mm



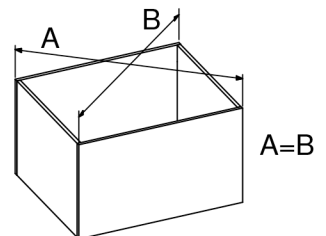
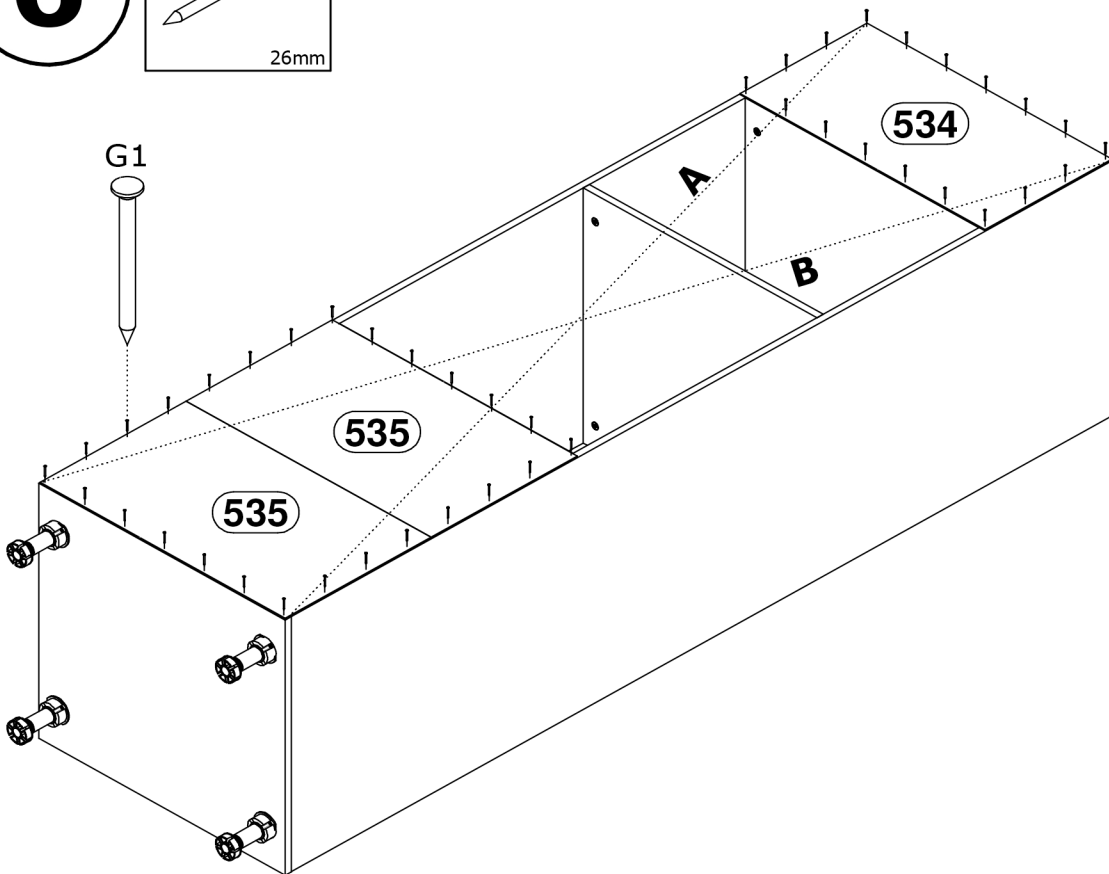
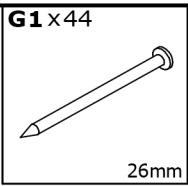
4



5



6

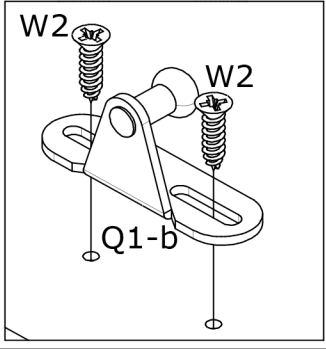
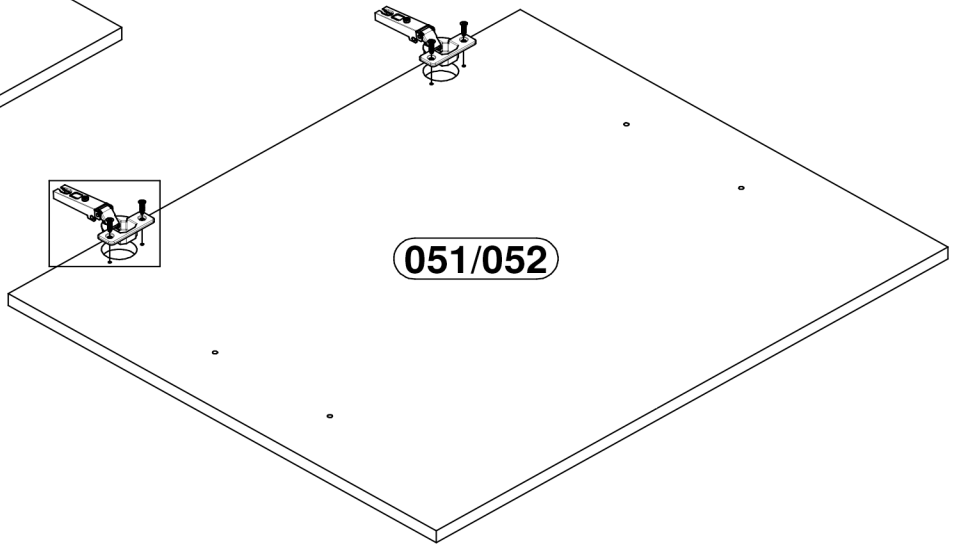
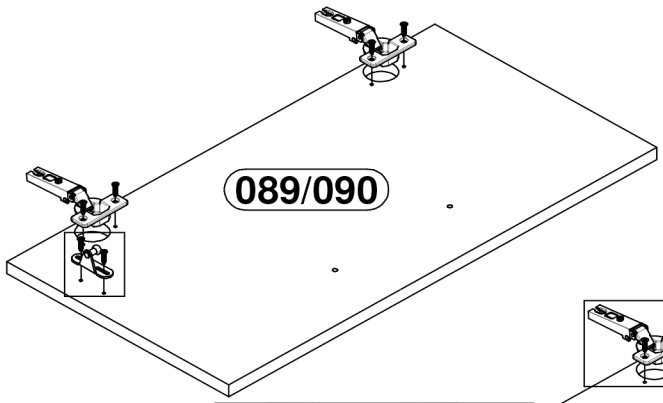
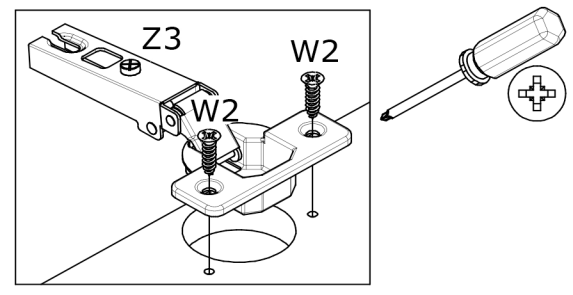


7

W2x10  
Ø3,5x16mm

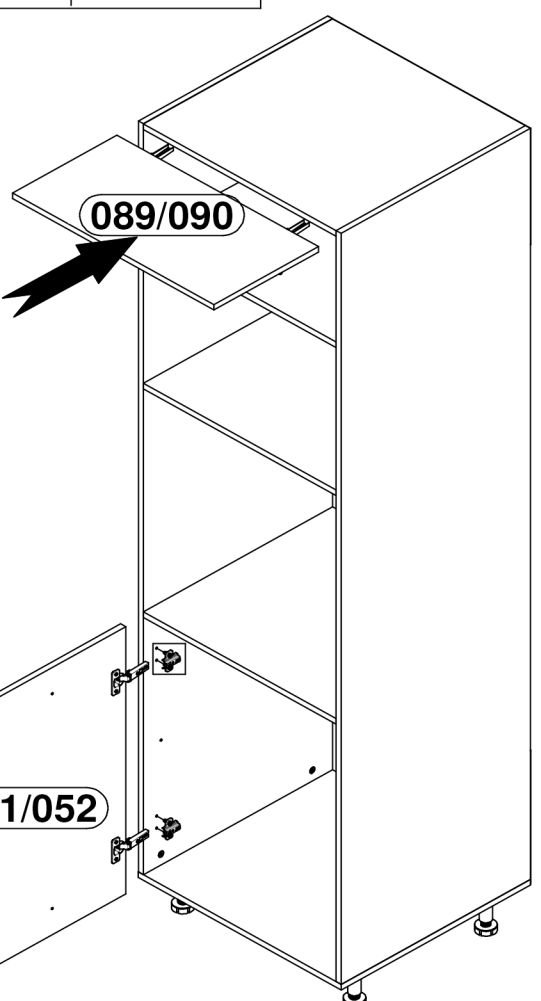
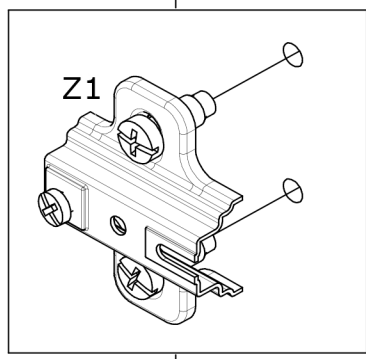
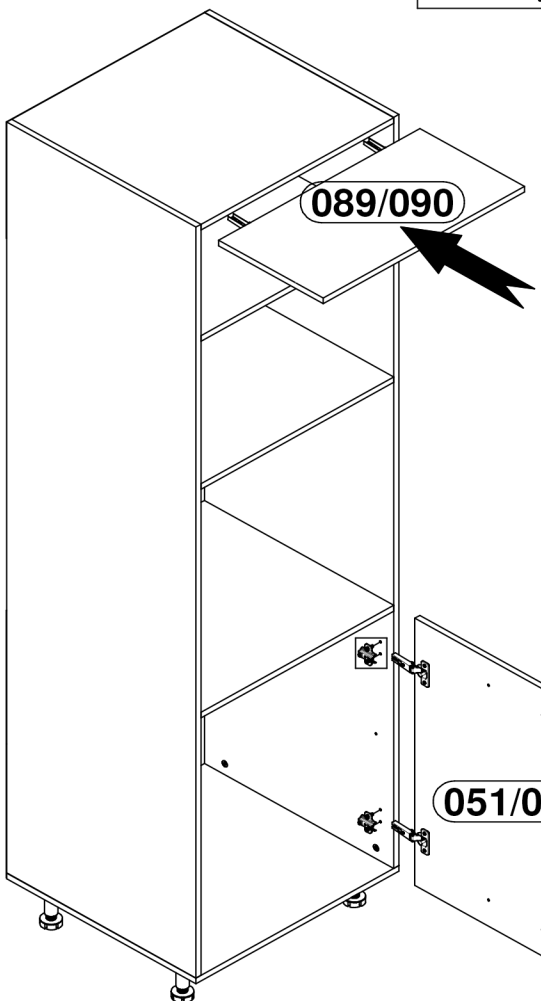
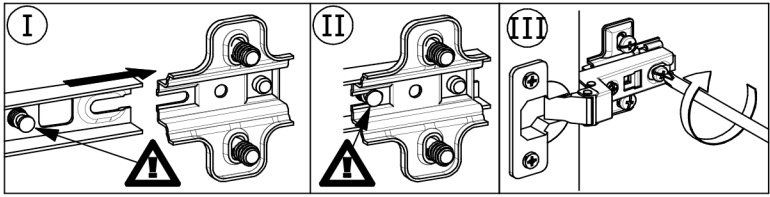
Q1-bx1  
51mm

Z3 x4  
Ø35, ZK0

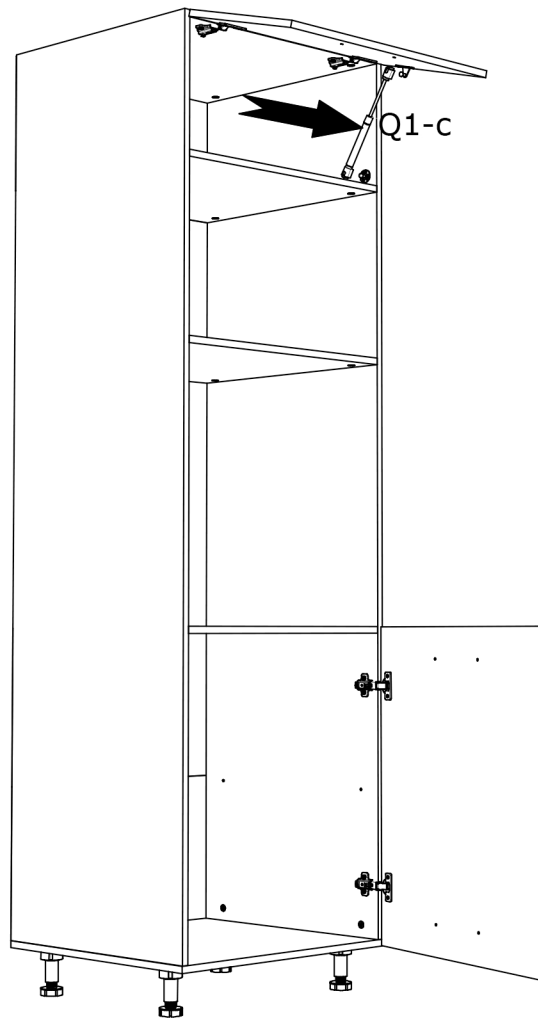
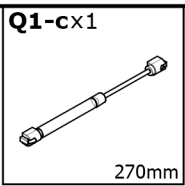


8

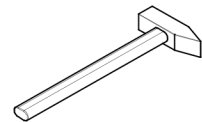
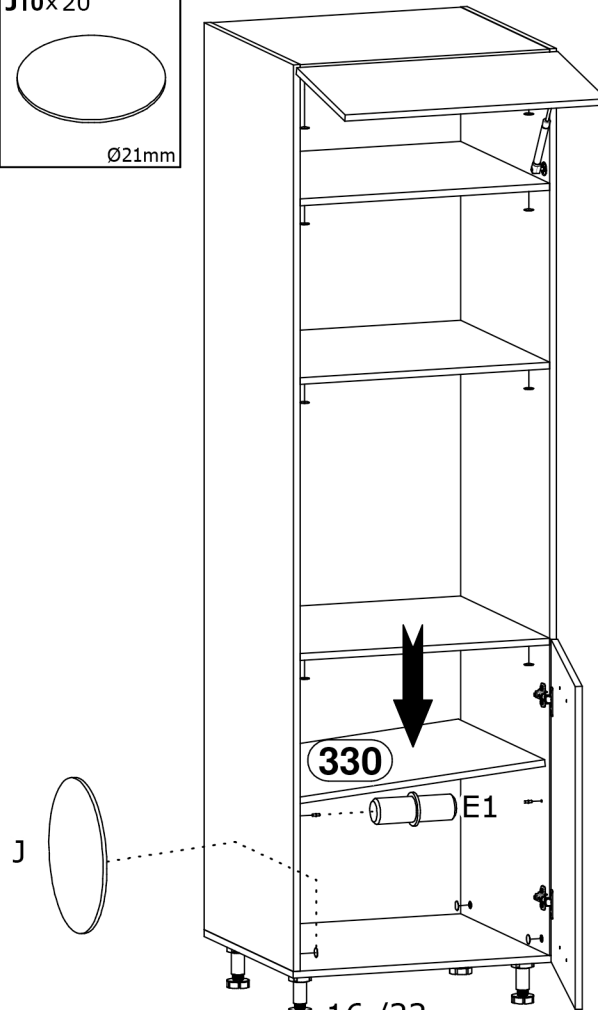
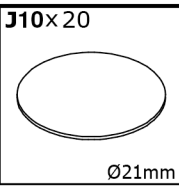
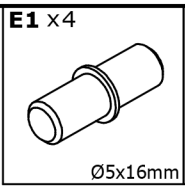
Z1 x2  
50x40, H=2



9

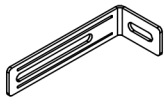


10



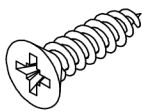
11

T4 x 1

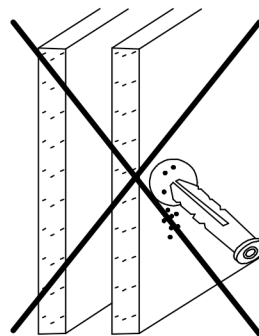
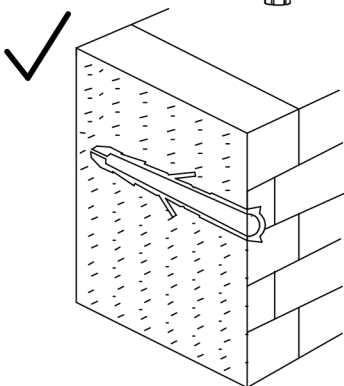
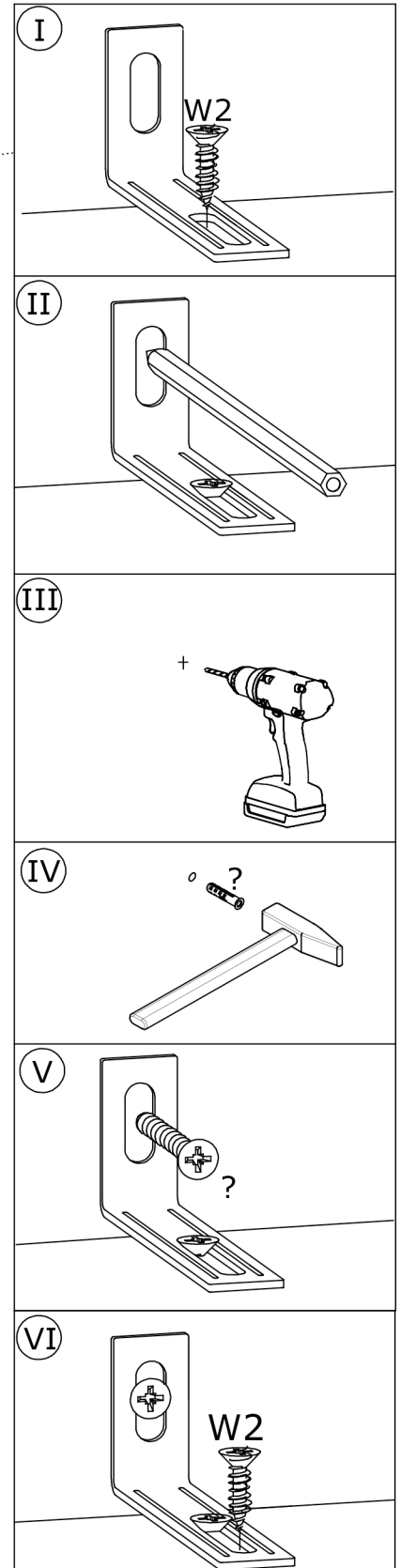
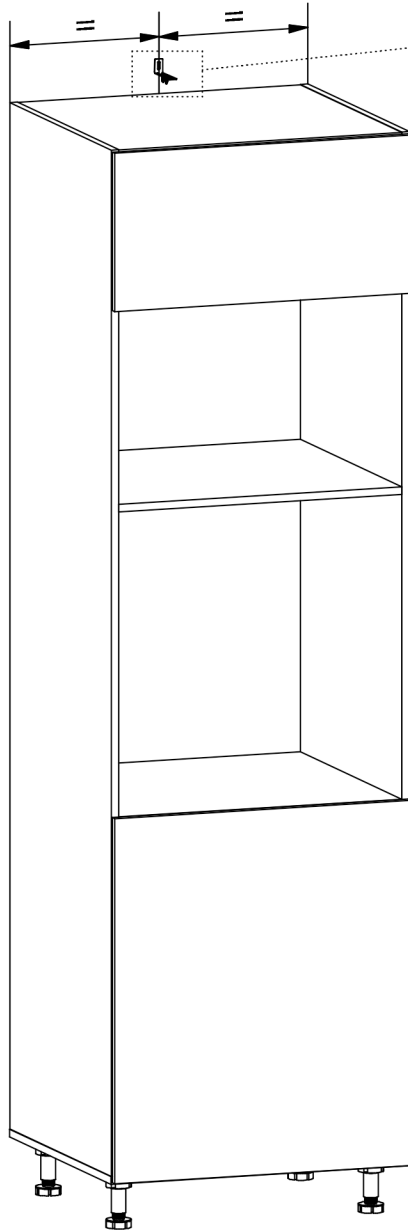
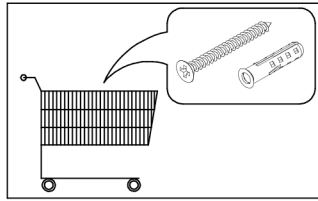
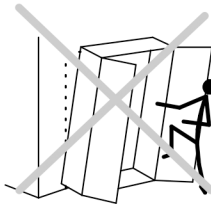
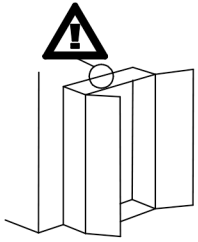
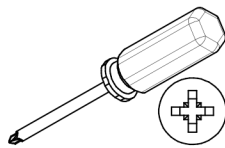
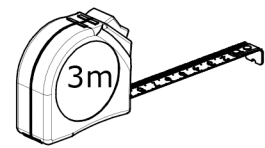
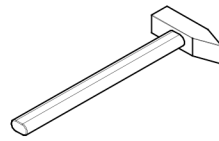


75x28x16 mm

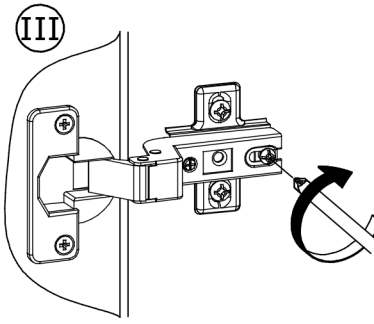
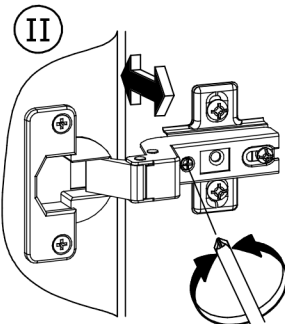
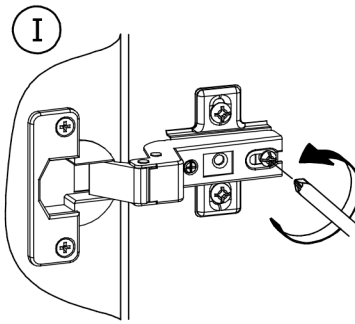
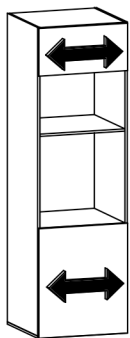
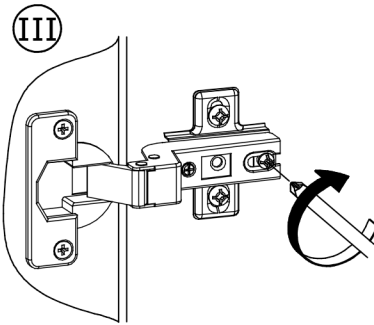
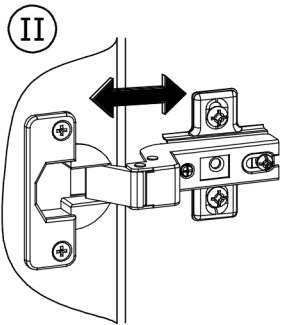
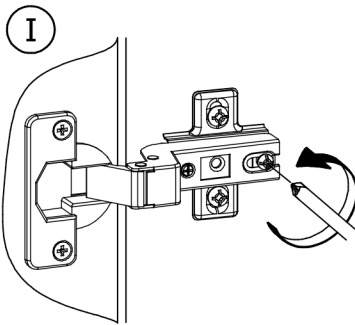
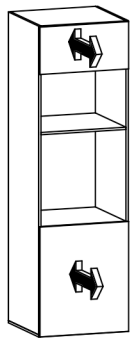
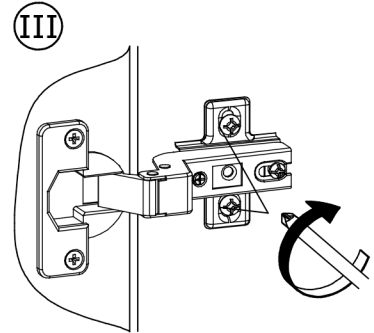
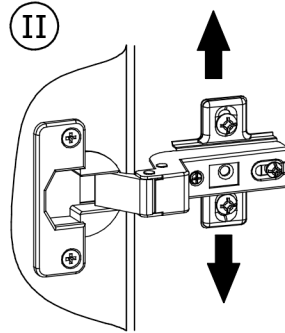
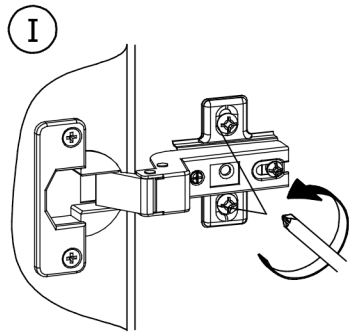
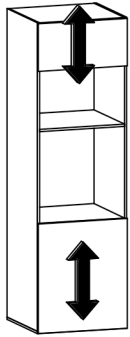
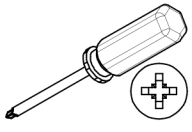
W2 x 2



Ø3,5x16mm



# 12





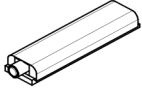
# ?

## A

## B

### A

I20x

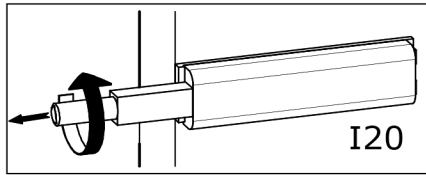


83x21x11mm

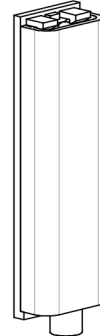
W2x



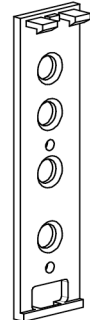
Ø3,5x16mm



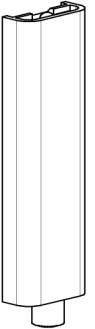
I20



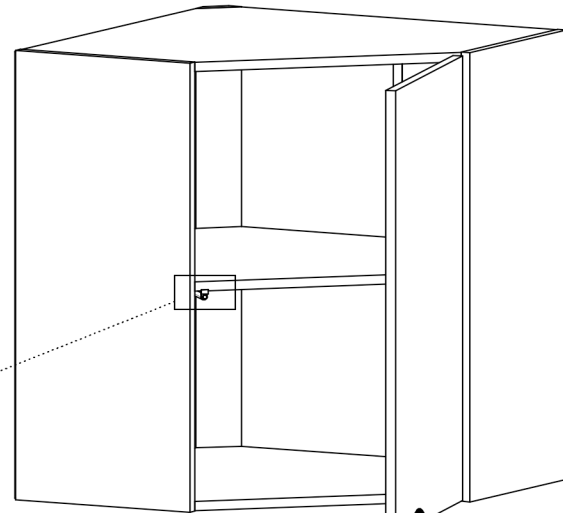
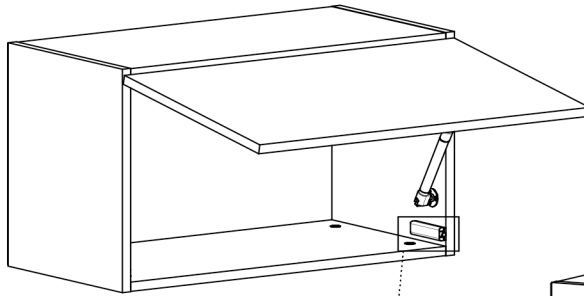
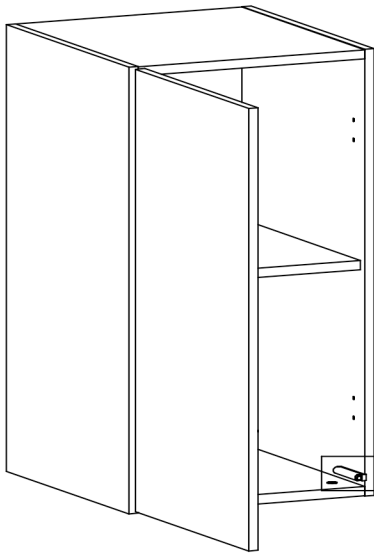
I20



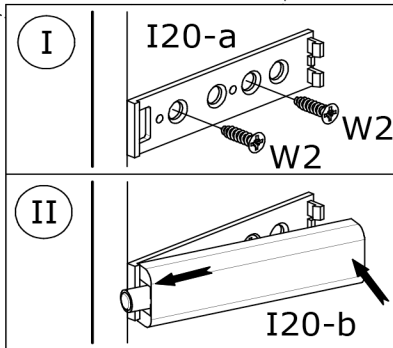
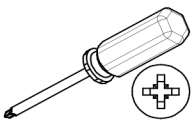
I20-a



I20-b



130 mm



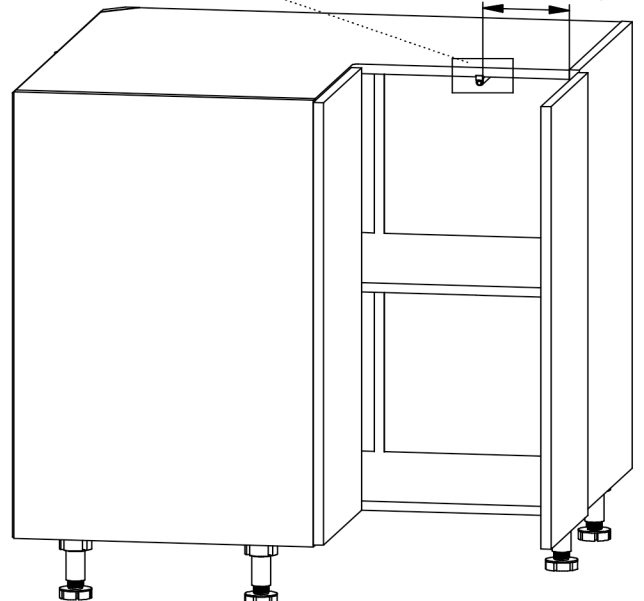
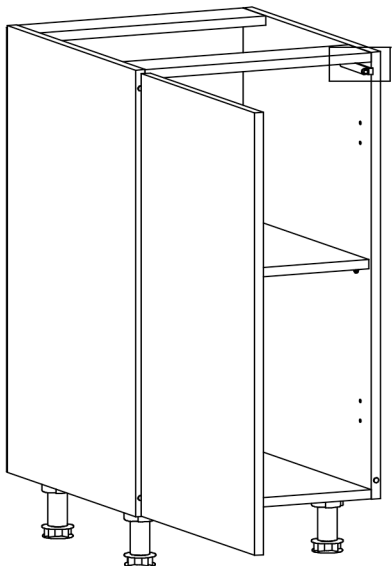
I

I20-a

W2  
W2

II

I20-b

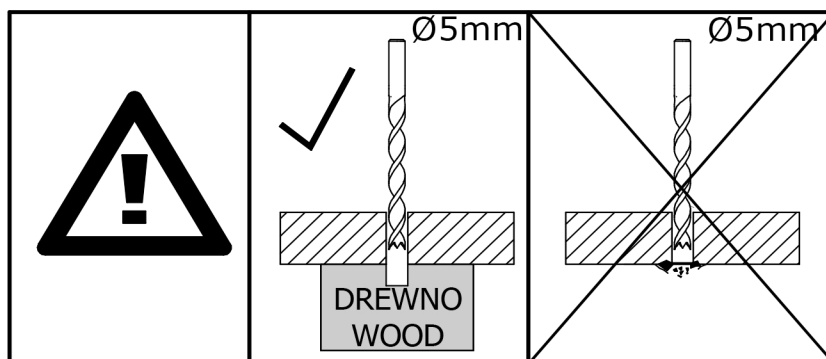
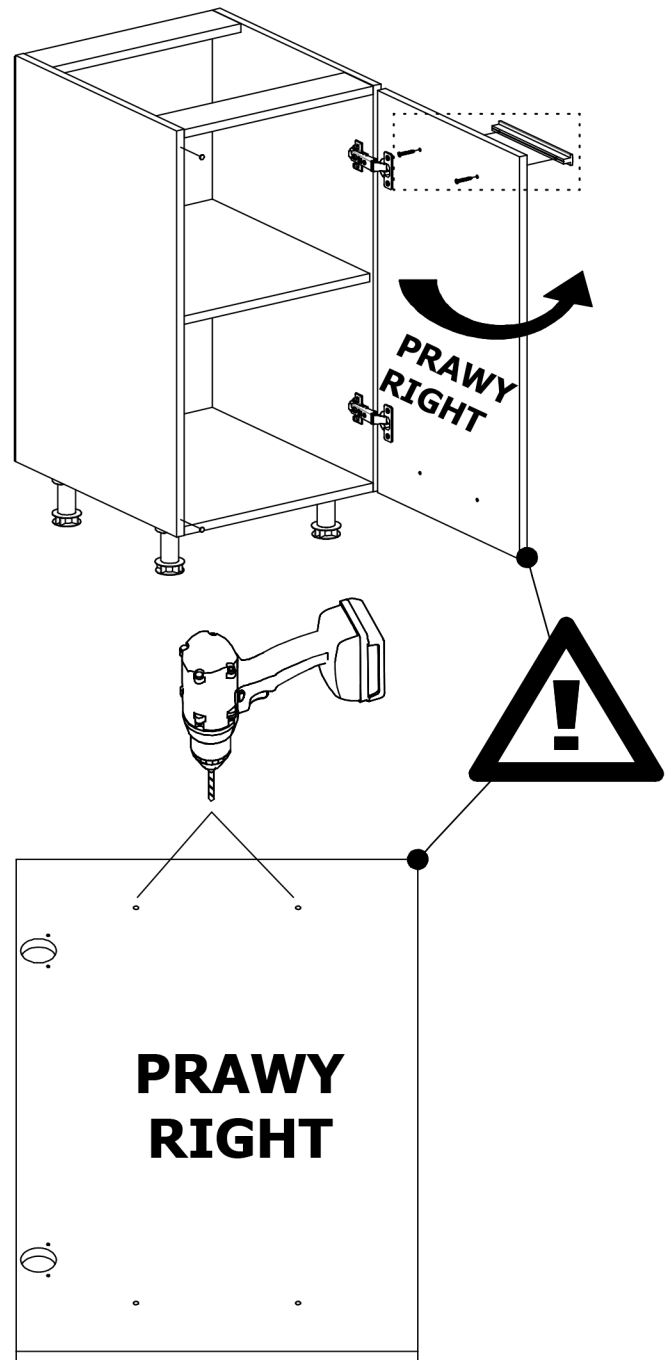
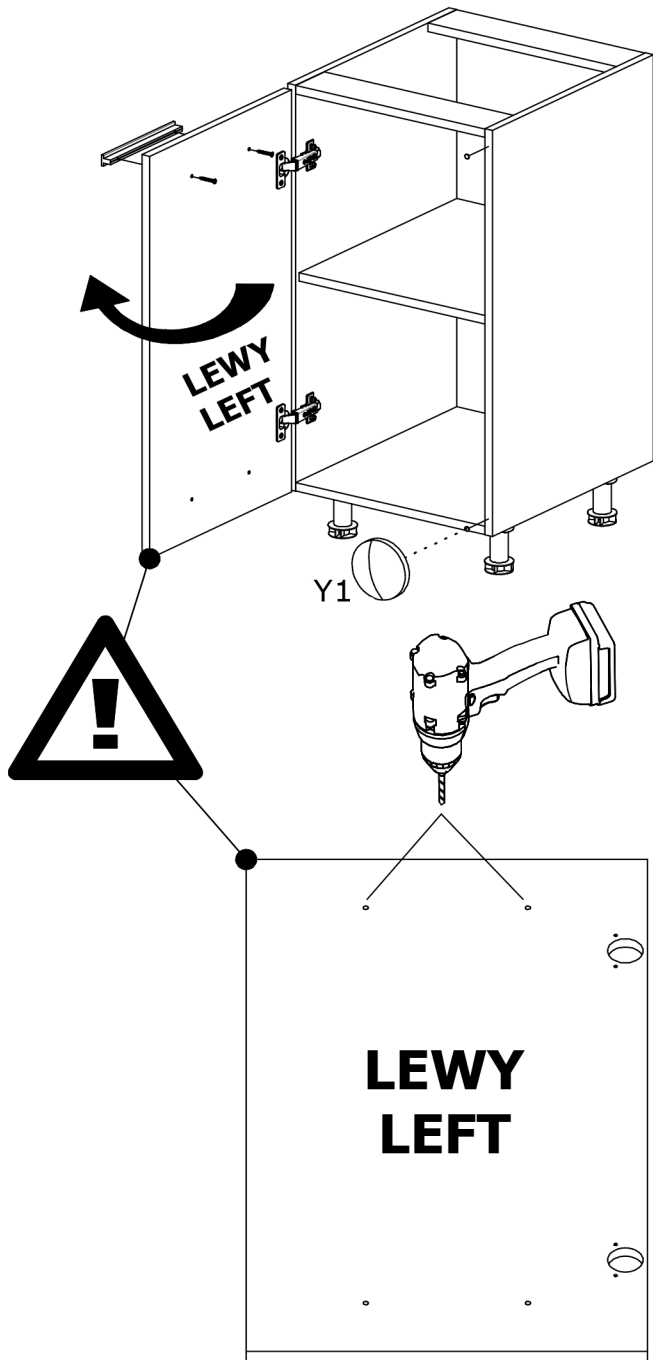
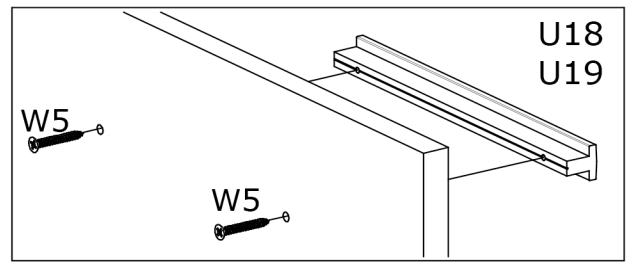
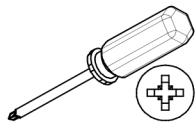


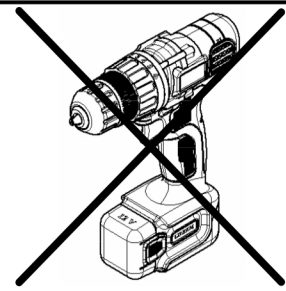
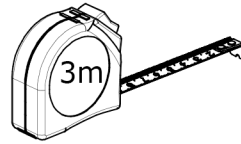
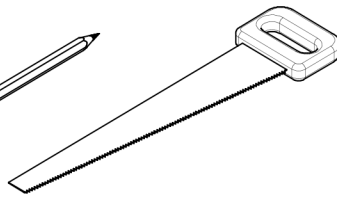
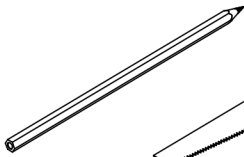
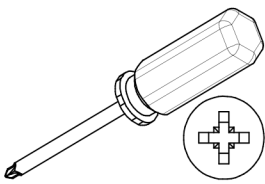
**B**

U18 / U19  
200 / 300mm

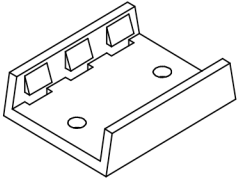
W5  
Ø4x30mm

Y1  
Ø8x1,5mm



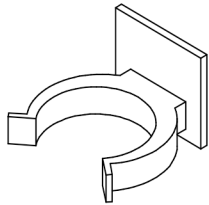


**L6-a**x8



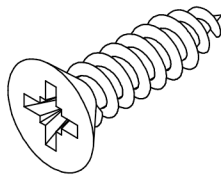
38x30x10mm

**L6-b**x8

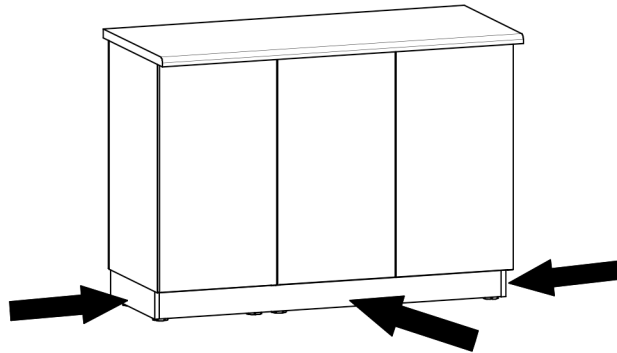
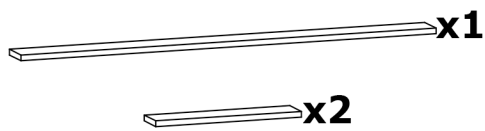


35x32x25mm

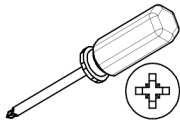
**W2**x16



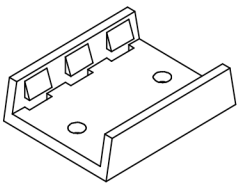
Ø3,5x16mm



**C1**

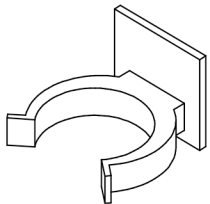


**L6-a**x4



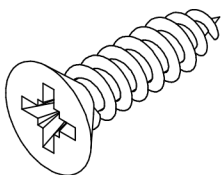
38x30x10mm

**L6-b**x4

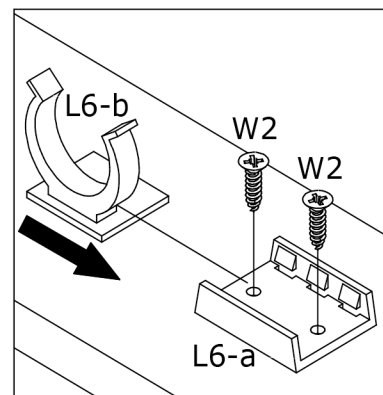
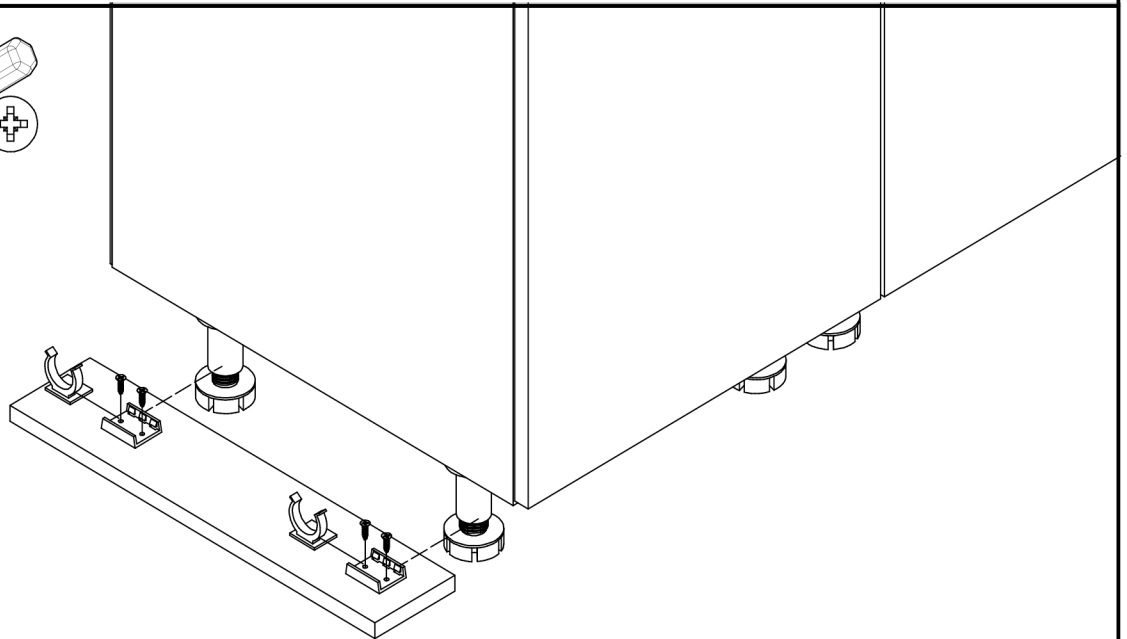


35x32x25mm

**W2**x8

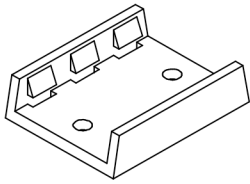


Ø3,5x16mm



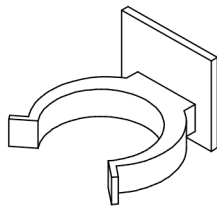
**C2**

**L6-a x4**



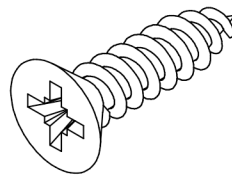
38x30x10mm

**L6-b x4**



35x32x25mm

**W2 x8**



Ø3,5x16mm

